

A

A

B

B

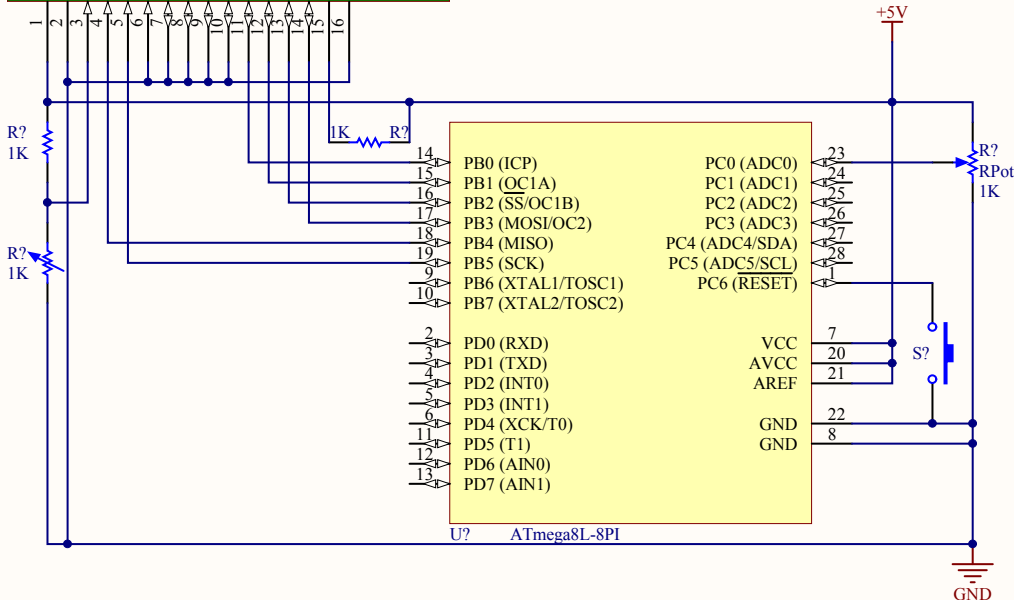
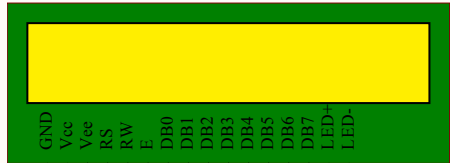
C

C

D

D

Dis?



1

2

3

4